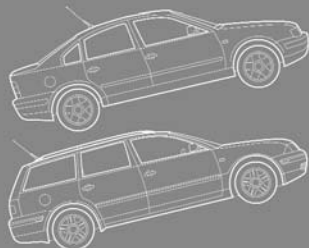


Volkswagen Passat

Service Manual
 1998, 1999, 2000, 2001, 2002, 2003, 2004
 1.8L turbo, 2.8L V6, 4.0L W8
 including wagon and 4MOTION™



Volkswagen Passat Service Manual: 1998-2004 1.8L turbo, 2.8L V6, 4.0L W8 including wagon and 4MOTION™

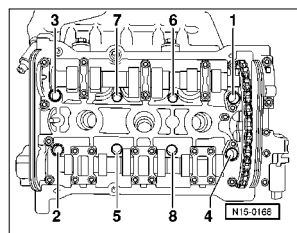
Price: \$119.95
 Bentley Stock Number: VP04
 VWoA Part Number: LPV 800 209
 ISBN: 0-8376-0369-2
 Publication Date: 2004.apr.1
 Editorial Closing Date: 2003.oct
 1840 pages
 4379 illustrations and diagrams
 Softcover 8 1/2 in. x 11 in.

The **Volkswagen Passat Service Manual: 1998-2004** covers Passat models built on the "B5" platform. With new 2003 and 2004 model year information and new coverage of the 6-speed manual transmission (transmission code: 01E), this manual supersedes **Volkswagen Passat Service Manual: 1998-2002** (VP02).

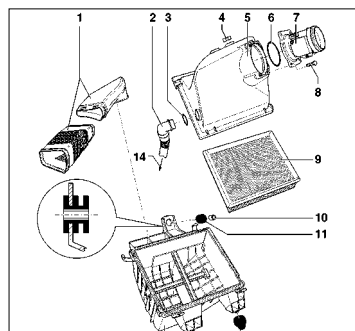
The **Volkswagen Passat Service Manual: 1998-2004** has been prepared using selected factory service information with the added benefit of suggestions, tips and clarification of various procedures. If you're looking for better understanding of your Volkswagen Passat look no further than Bentley Publishers.

Features:

- Covers Passat, Passat wagon and 4MOTION™ models built on the B5 platform.
- 88 page step-by-step maintenance section.
- Engine and cylinder head service, including timing belt and camshaft replacement.
- Component testing, removal and installation for engine lubrication, cooling, and exhaust systems.
- Fuel supply service, including fuel pump delivery and electrical checks, EVAP system, and mechanical and electronic throttle control (E-gas).
- Fuel injection and ignition system component identification, electrical testing, technical data, and throttle valve control module adaptation using the factory scan tool.
- Drivetrain maintenance, troubleshooting, adjustment and repair, including hydraulic clutch, gearshift linkage, and axles.
- Repair information for ABS/EDL/ASR brake systems.
- Suspension component replacement, including struts, stabilizer bar, multi-link elements, and wheel bearings.
- Body adjustment and repairs, including doors, fenders, trim panels, bumpers, doors, hood, lids, lights, instrument panel/dashboard, sunroof, seatbelts, and seats.
- Heating and air conditioning repair, including A/C electrical component replacement and vacuum hose layout.
- Factory wiring diagrams and component locations.
- Volkswagen OBD II diagnostic trouble codes section with SAE and manufacturer defined P-codes, control module coding and readiness codes.
- Comprehensive Volkswagen factory tolerances, wear limits, adjustments, and tightening torques.
- Wiring schematics and extensive electrical component section specifying relay, control module and ground locations with detailed illustrations and photos.



Engine coverage; from basic service to cylinder head removal and installation



Detailed exploded views including engine air filter replacement

Engines covered

- 1.8L turbo gasoline (engine code AEB, ATW, AUG, AWM)
- 2.8L gasoline (engine code AHA, ATQ)
- 4.0L gasoline (W8) (engine code BDP).

Transmissions covered

- 5-speed Manual (transmission codes: 012, 01W)
- 5-speed Automatic (transmission code 01V)
- 6-speed Manual (transmission code: 01E)